

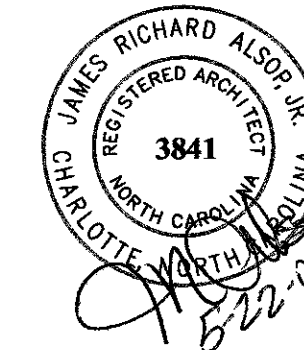
architecture
planning
development

Charette Architects, PLLC

800 West Hill Street
Suite 200
Charlotte, NC
28208
Phone: 704.358.8400
Fax: 704.358.9220
info@charettearchitects.com

This document is an instrument of service and shall remain the property of Charette Architects, PLLC who reserves all common law, statutory and other reserved rights, including the copyright therein.

Copyright © 2008
Charette Architects, PLLC



Only Signed & Sealed Documents
Are Released for Construction

Released for
Construction
05.22.08

Lot 145 Cannonsgate

Details

Revision Date:

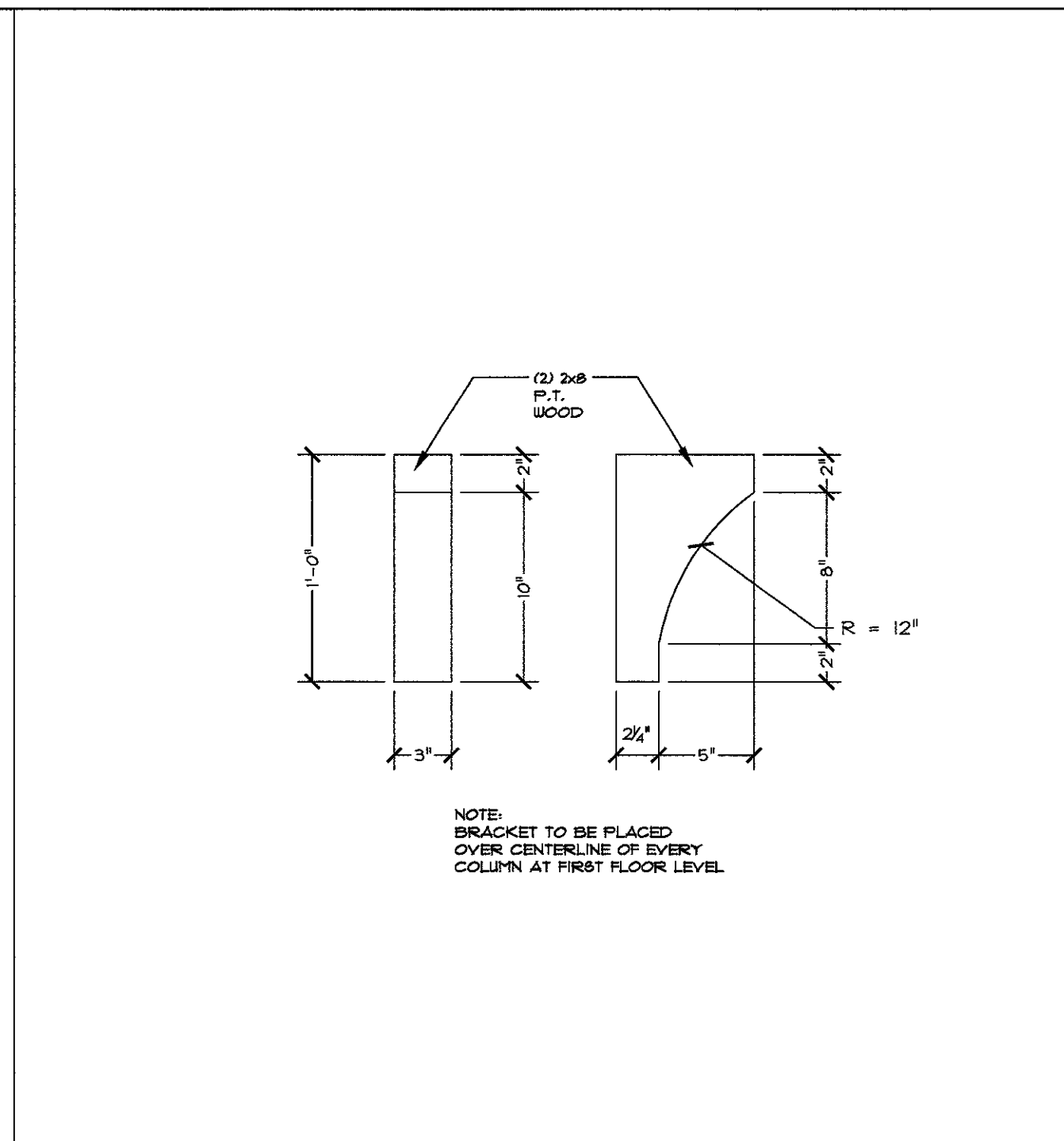
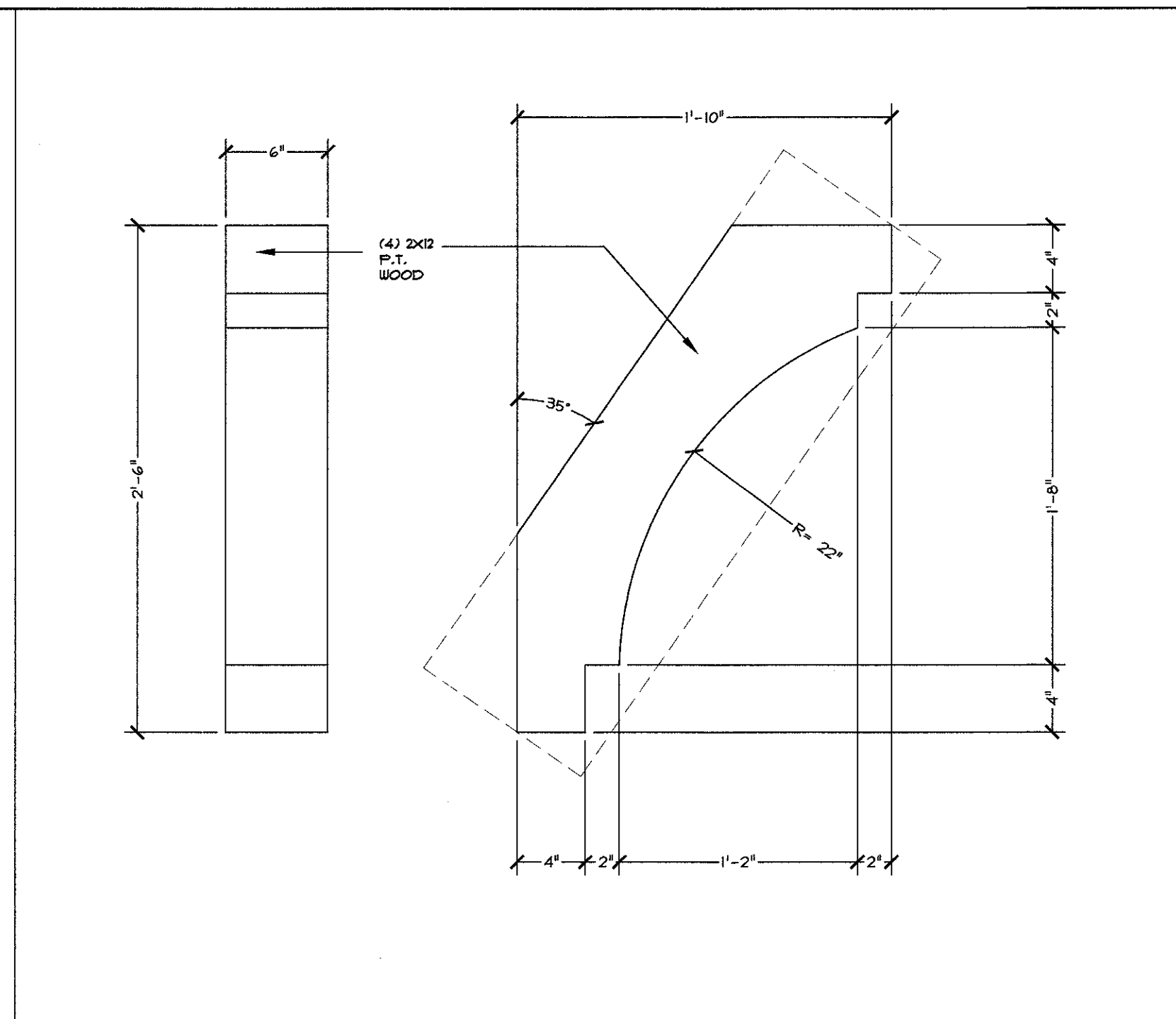
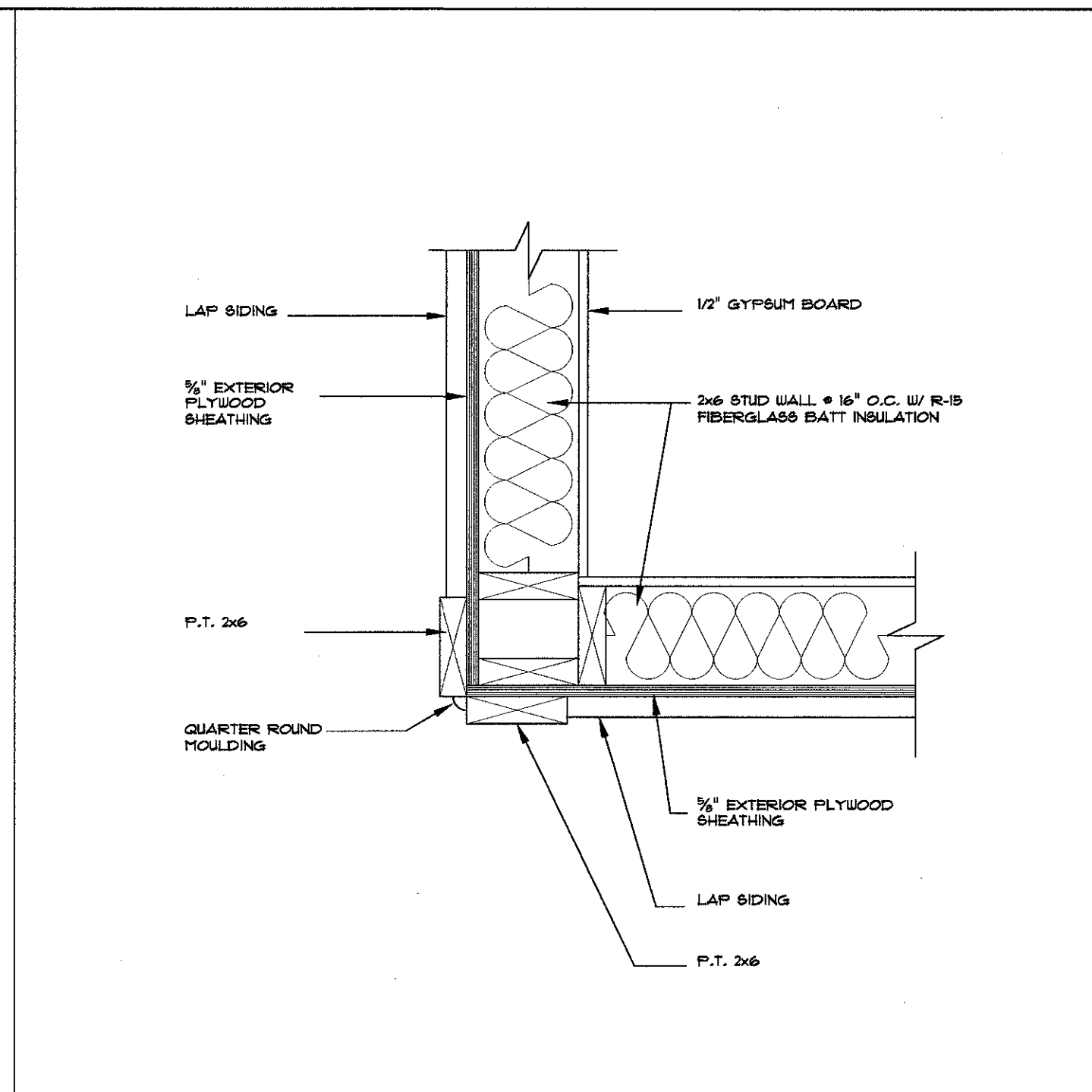
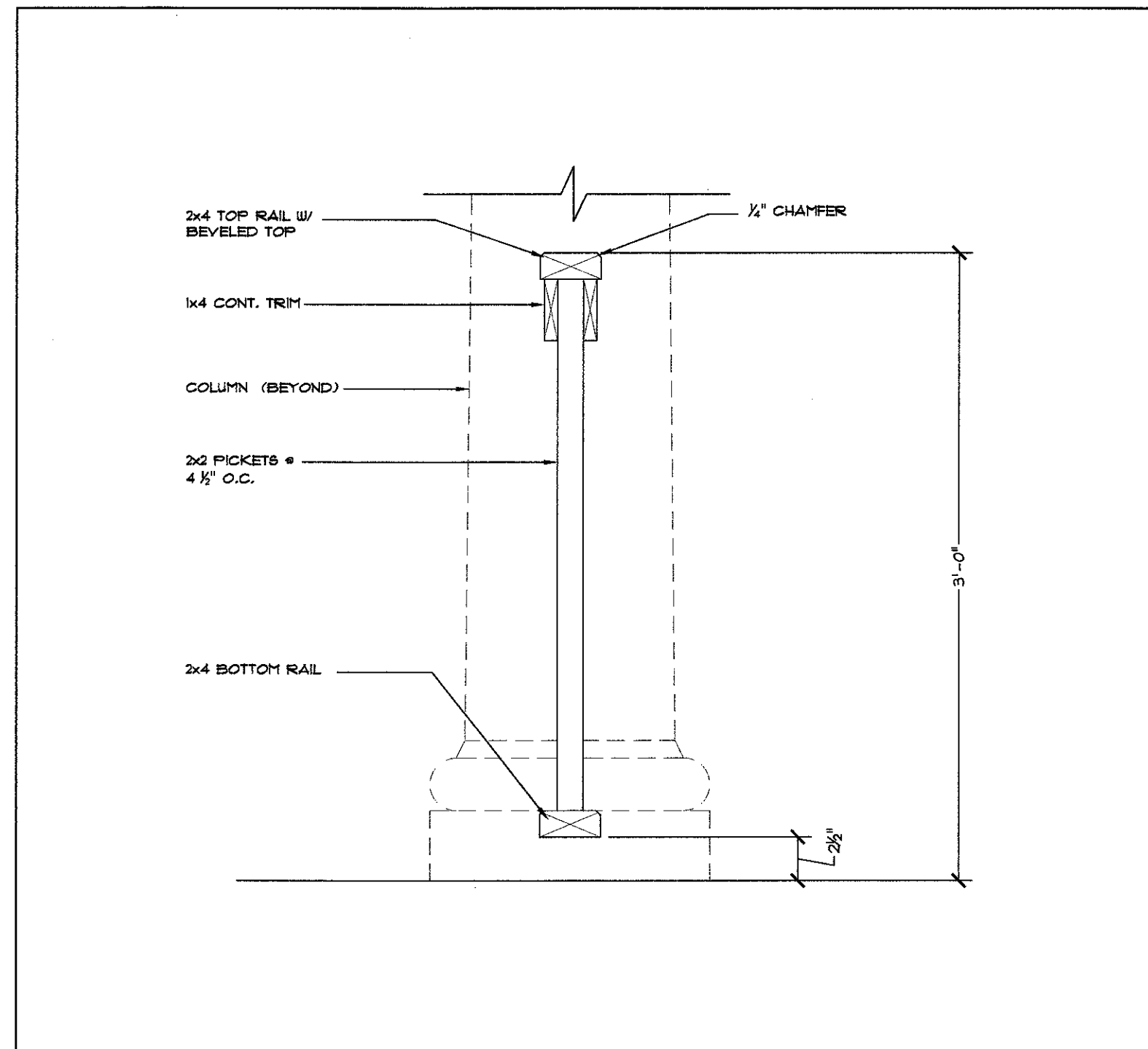
- 1.
- 2.
- 3.
- 4.
- 5.

05.22.08

28012

Scale: See Drawings

A.11

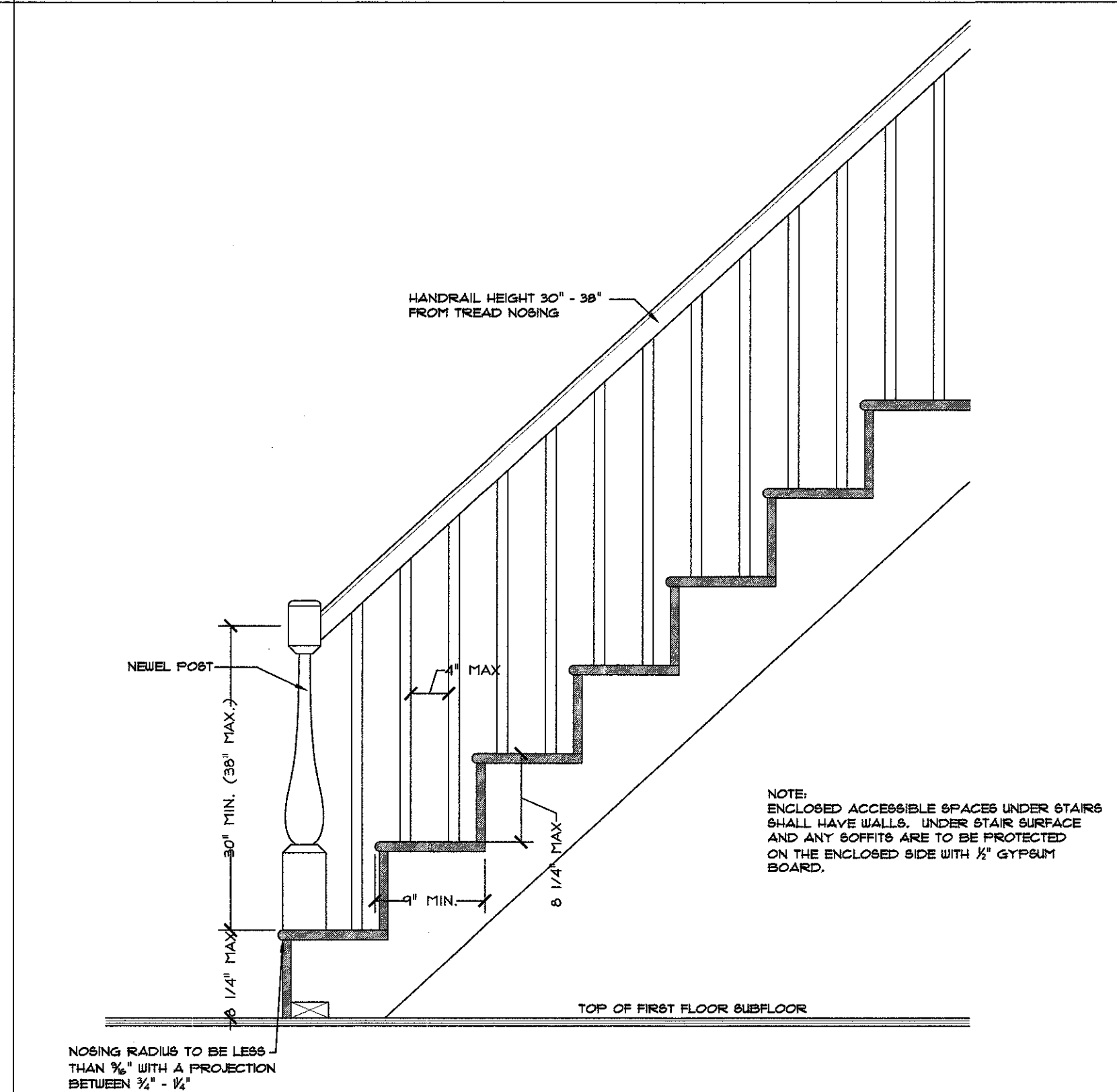
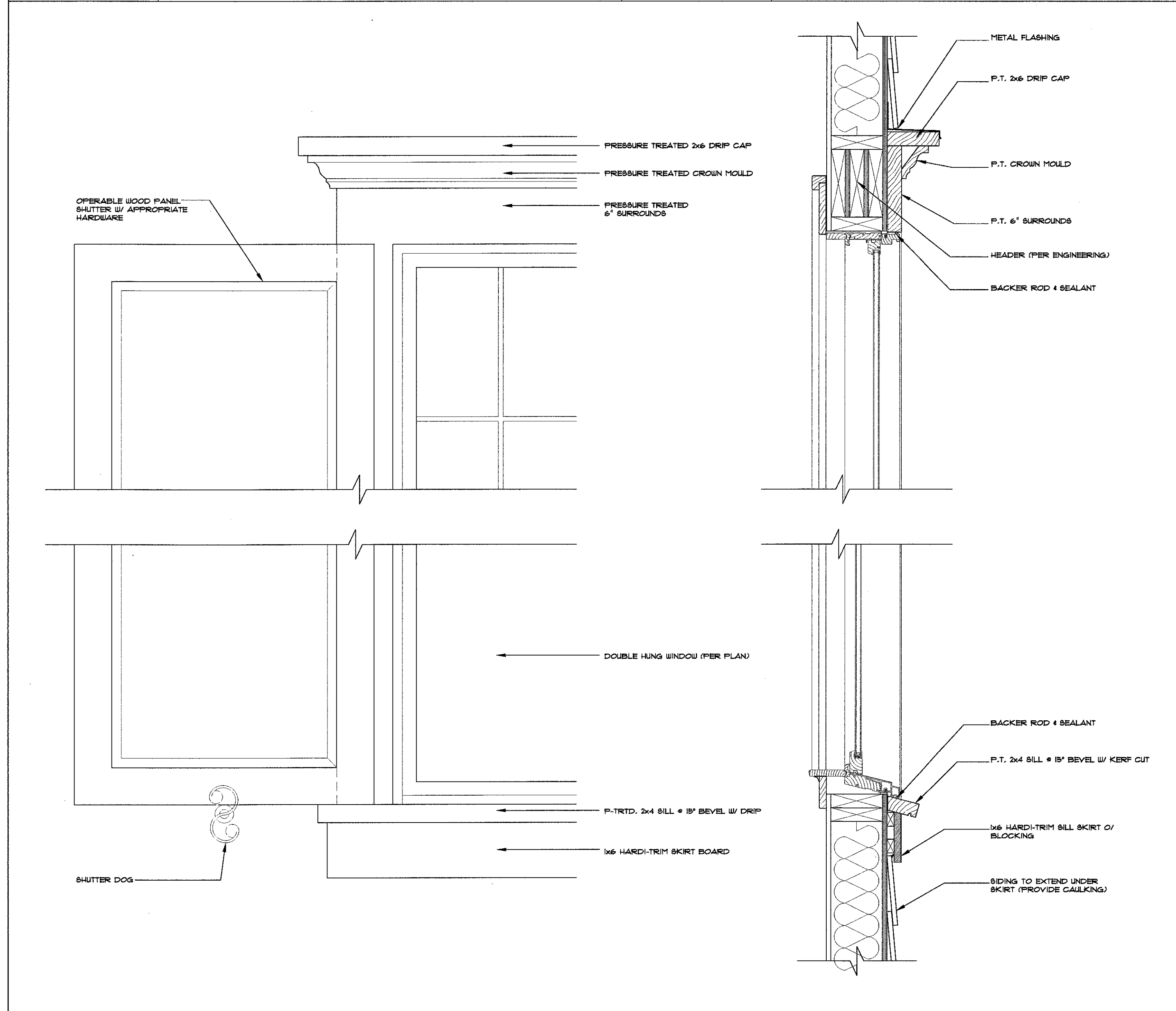


1
1 1/2" = 1'-0" TYPICAL HANDRAIL DETAIL

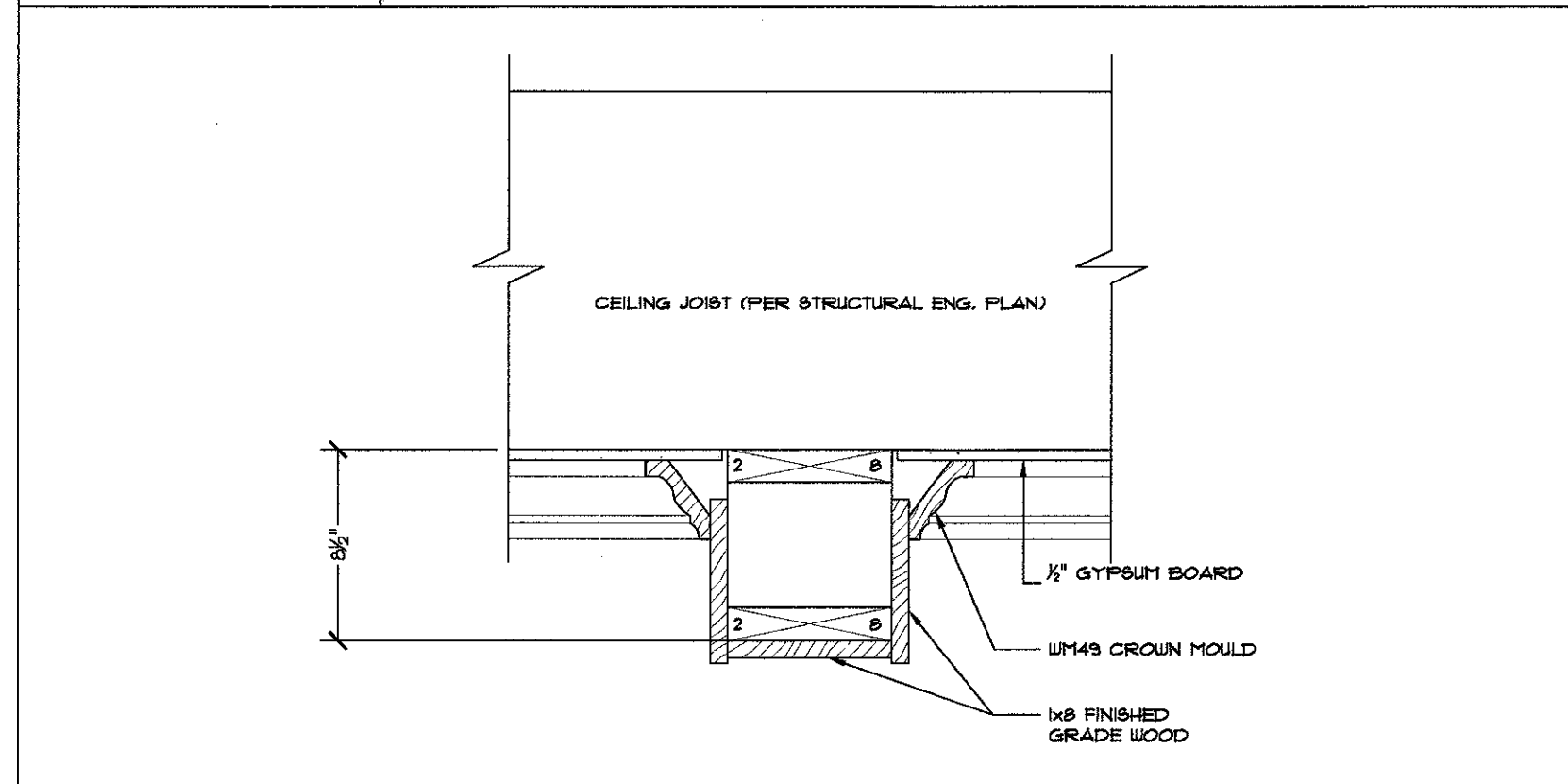
2
1 1/2" = 1'-0" CORNER BOARD DETAIL

3
1 1/2" = 1'-0" BRACKET DETAIL

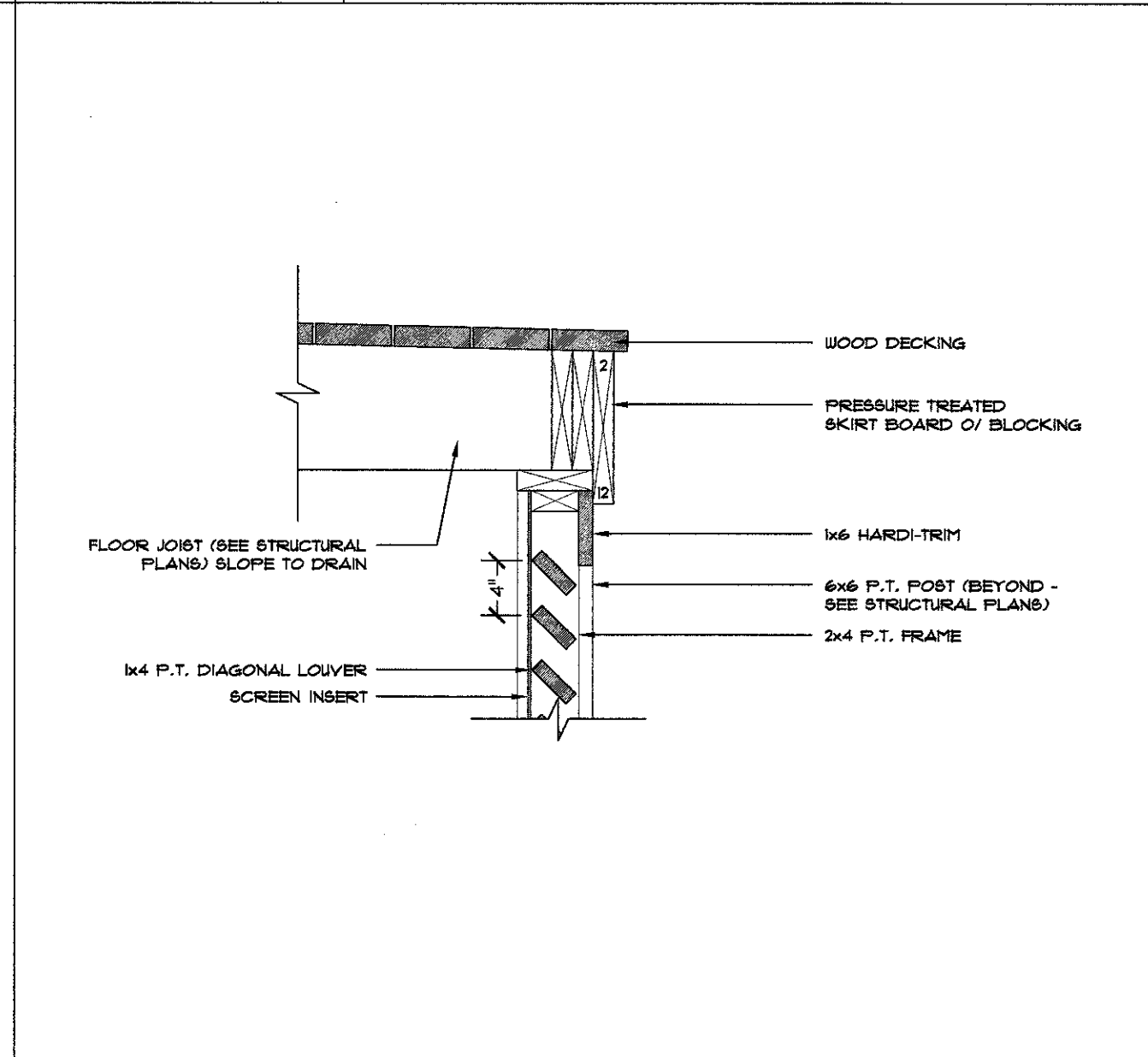
4
1 1/2" = 1'-0" BRACKET DETAIL



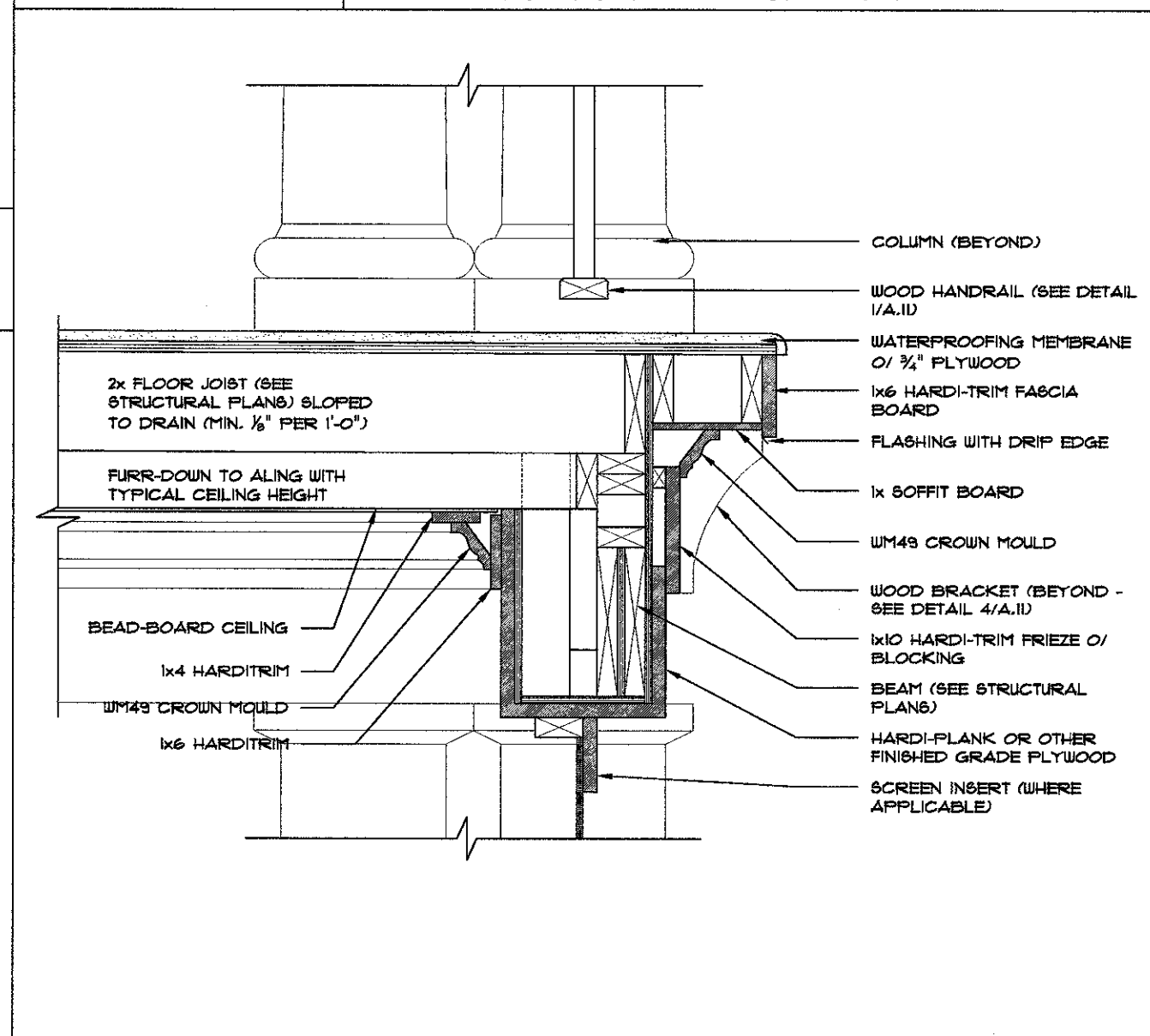
6
1" = 1'-0" STAIR DETAIL



7
1 1/2" = 1'-0" COFFERED CEILING DETAIL



8
1" = 1'-0" DECK AND LOUVERED OPENING DETAIL



9
1" = 1'-0" FLOOR TO CEILING DETAIL AT PORCHES

5
1 1/2" = 1'-0" TYPICAL WINDOW DETAIL